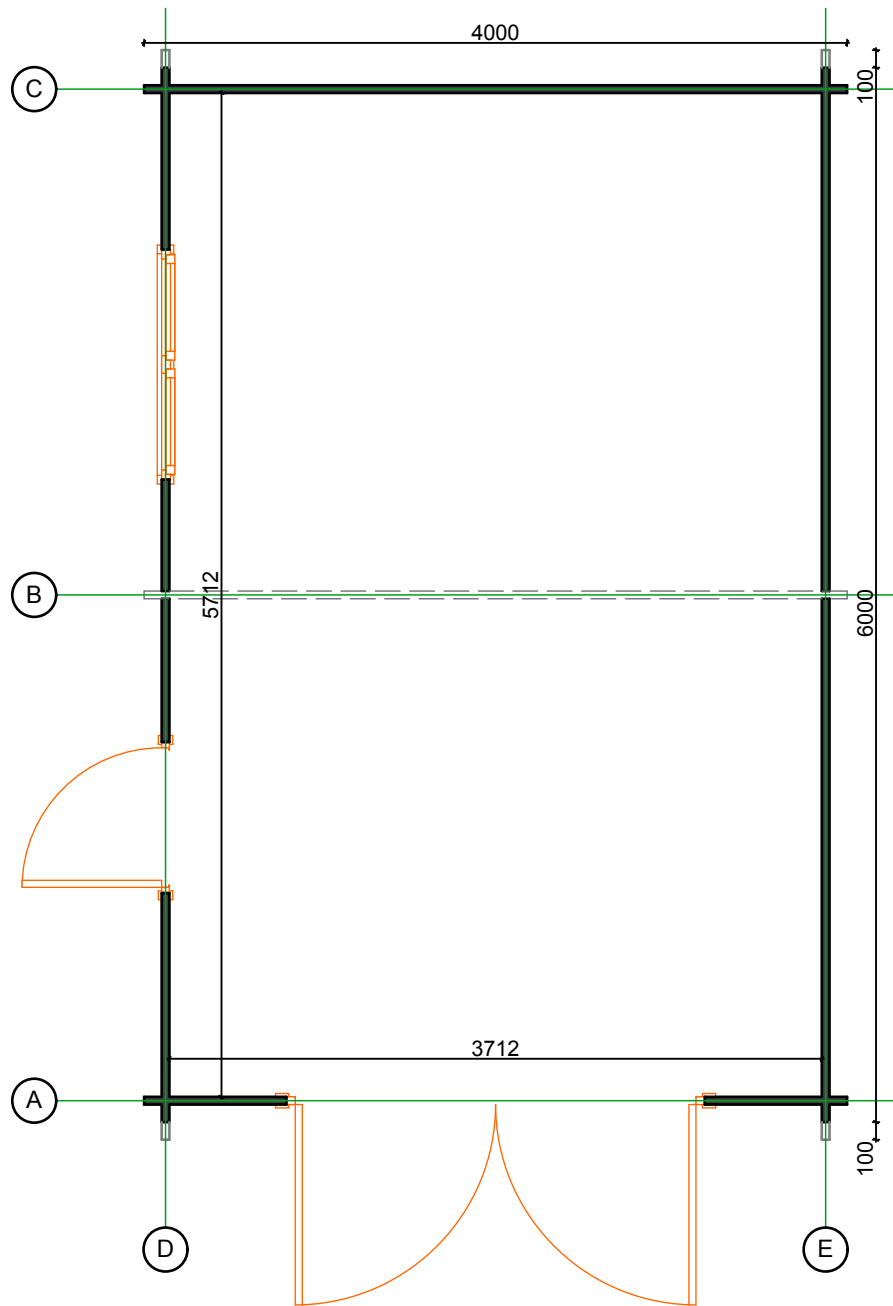


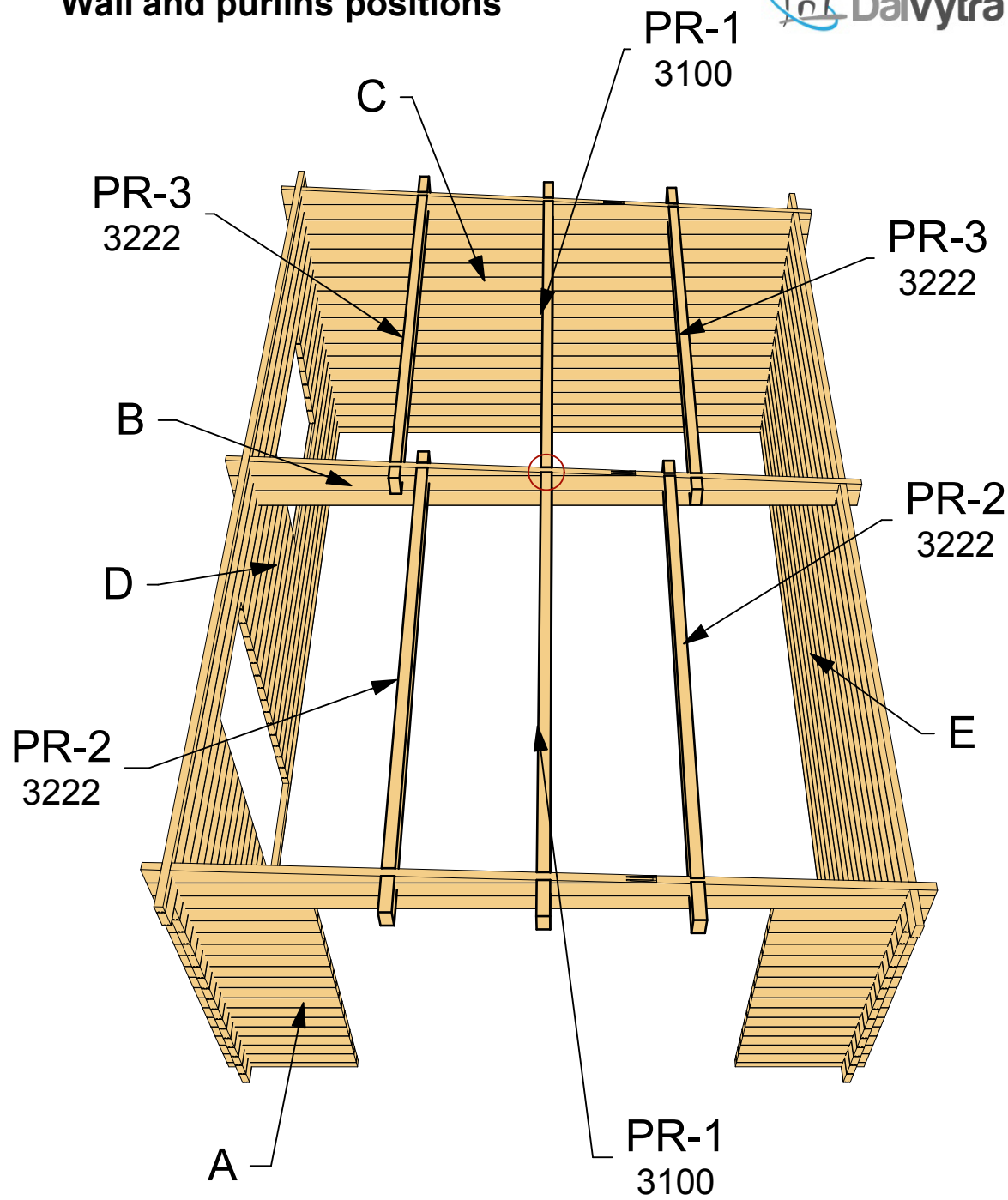


44mm Garage 4x6 flat roof

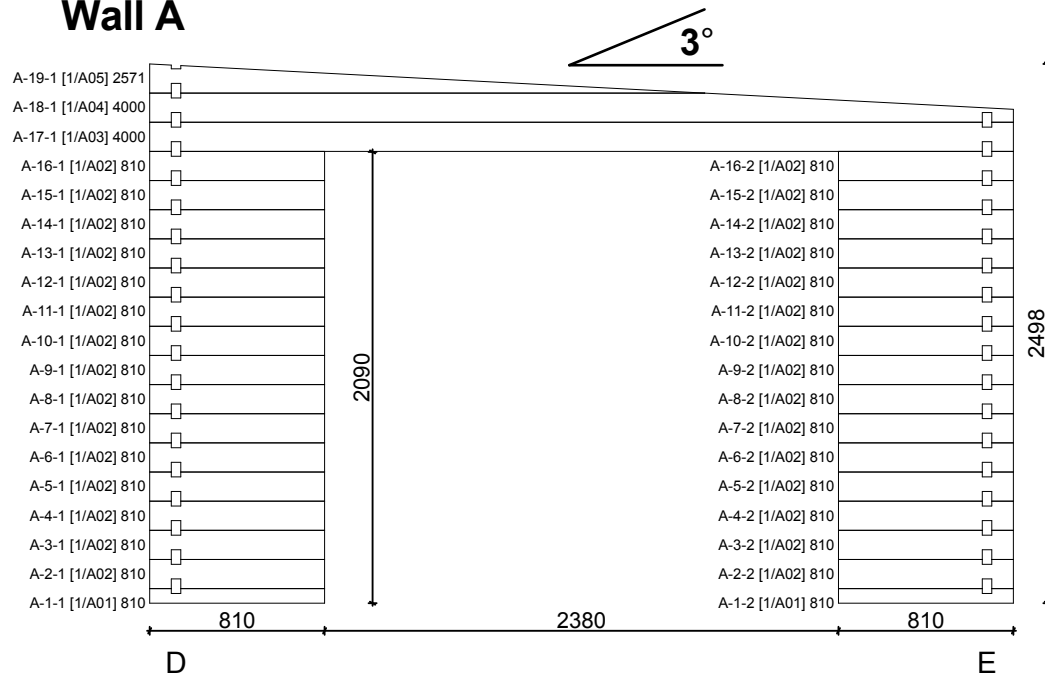
Floor plan



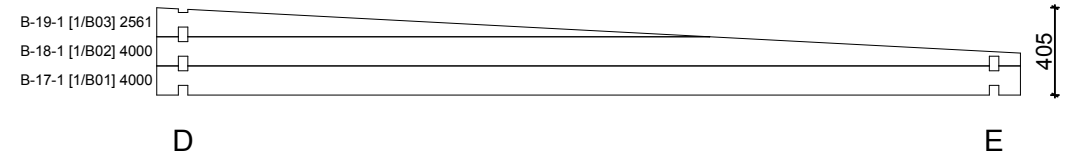
Wall and purlins positions



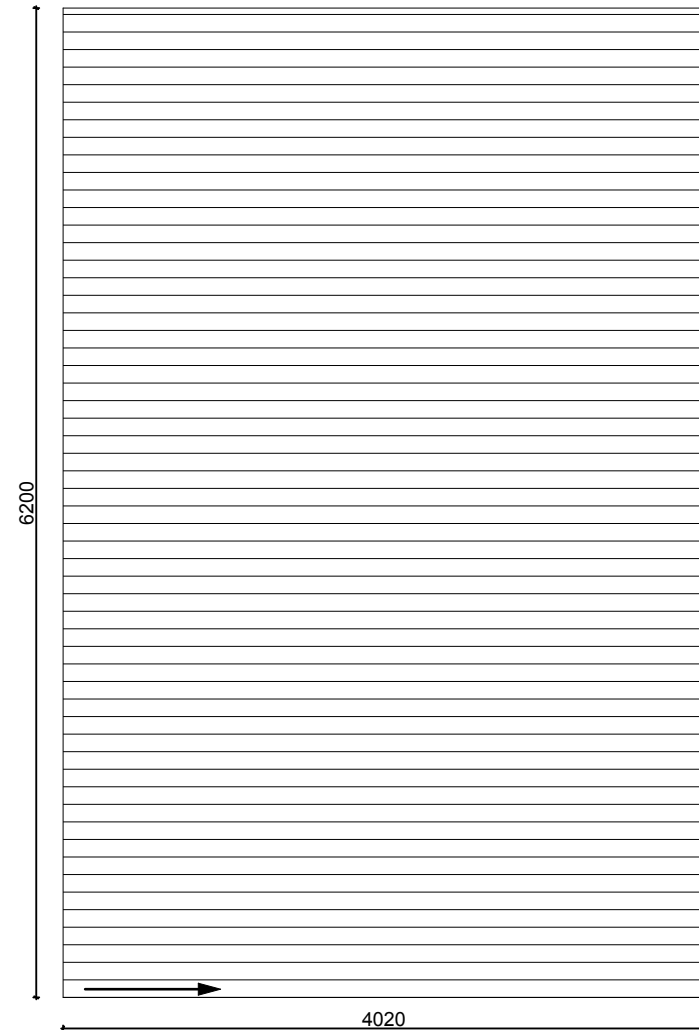
Wall A



Wall B



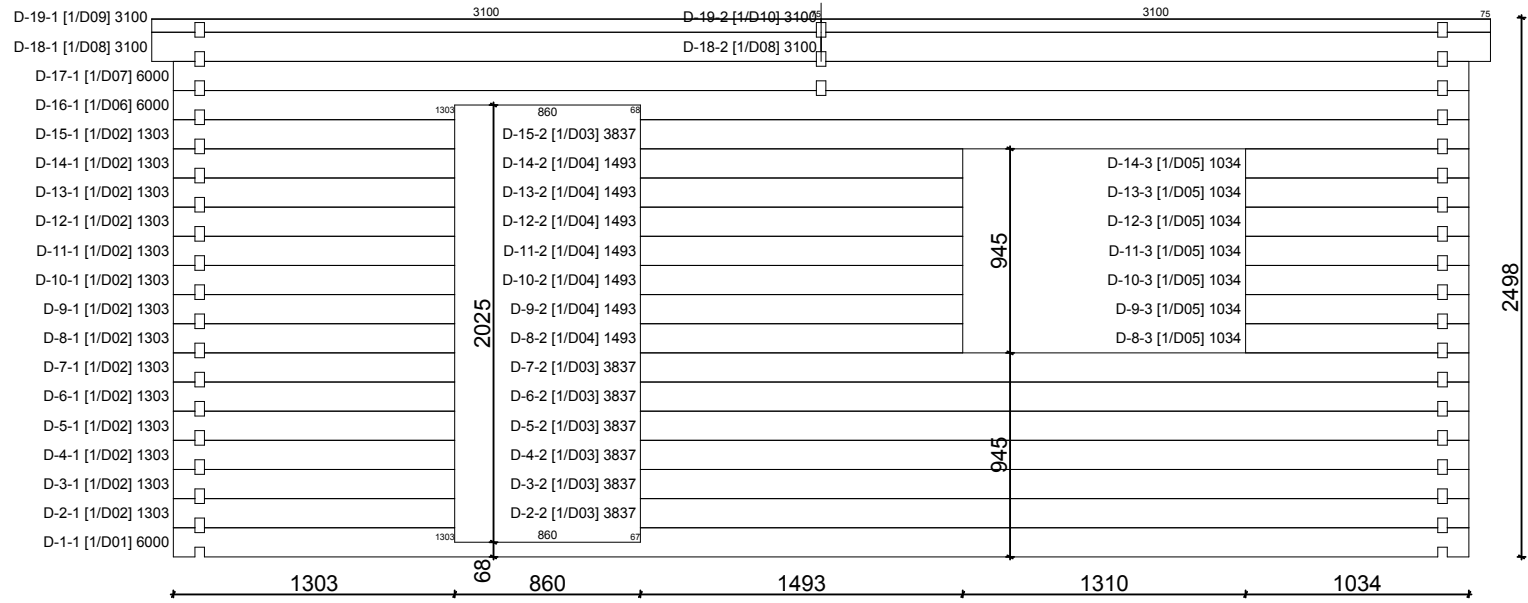
Roof boards



Wall C



Wall D



Wall E

